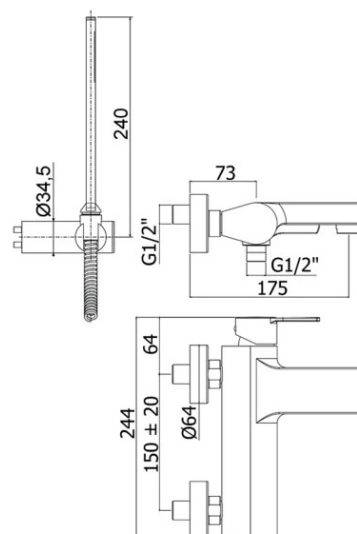


ringo-west



- Bath/shower mixer with diverter complete with:
- aerator M28x1
- set of 2 S-wall-unions 1/2"x3/4"G and wall-plates
- Bath/shower mixer with diverter complete with:
- aerator M28x1
- set of 2 S-wall-unions 1/2"x3/4"G and wall-plates

WS 023

CR- Chrome | Chrome

WS 026

CR- Chrome | Chrome

WS 022

CR- Chrome | Chrome

ARTICOLO ARTICLE

RIN 023.. / WS 023..

- with ABS joint wall bracket
- with hand-shower and flexible hose
- with ABS joint wall bracket
- with hand-shower and flexible hose

RIN 026.. / WS 026..

- with ABS fixed wall bracket
- with hand-shower and flexible hose
- with ABS fixed wall bracket
- with hand-shower and flexible hose

RIN 022.. / WS 022..

- without shower set
- without shower set

RAPPORTO PROVA PORTATA FLOW RATE REPORT

		Pressione / Pressure (bar)									
		0,5	1	1.5	2	2.5	3	3.5	4	4.5	5
Portata / Flow rate (l / min)	Uscita outlet bocca - spout	6.67	9.68	11.95	13.96	15.6	17.18	18.63	19.99	21.19	22.32
	doccia - hand shower	5.62	8.1	10.05	11.65	13.01	14.35	15.55	16.65	17.74	18.68

DOCUMENTI TECNICITECHNICAL DOCUMENTS



ESPLOSO
RICAMBI
WS 023

ESPLOSO
RICAMBI
WS 026

ESPLOSO
RICAMBI
WS 022

