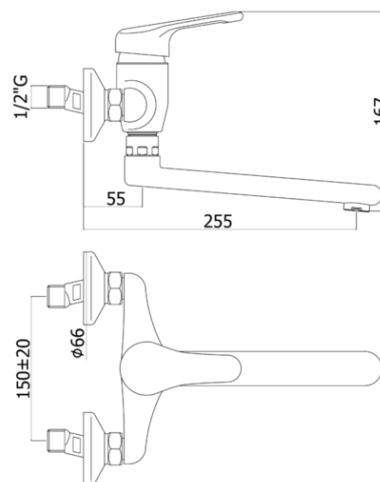


nettuno



- Wall sink mixer complete with:
- aerator M24x1
- 1/2" G connections

NT 161
CR- Chrome | Chrome

- Wall sink mixer complete with:
- aerator M24x1
- 1/2" G connections

ARTICOLO ARTICLE

NT 161..

- with swivel tube straight spout - l.200mm
- with swivel tube straight spout - l.200mm

RAPPORTO PROVA PORTATA FLOW RATE REPORT

	Uscita outlet	Pressione / Pressure (bar)									
		0,5	1	1.5	2	2.5	3	3.5	4	4.5	5
Portata / Flow rate (l / min)		7.53	10.63	13.1	15.17	17.04	18.74	20.27	21.72	23.1	24.3

DOCUMENTI TECNICI TECHNICAL DOCUMENTS



ESPLOSO
RICAMBI
NT 161

