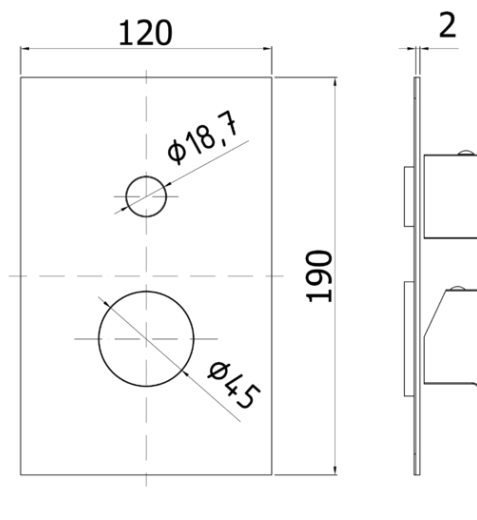
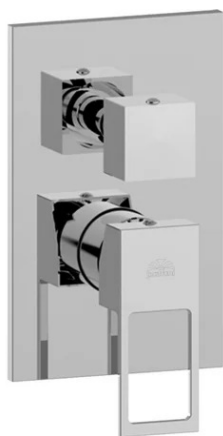


incassi projects - concealed mixer projects



- External set for art. EF 019CR/M
- External set for art. EF 019CR/M

EF 019CR/MEST

CR/MEST- Chrome with stainless steel wall plate | Chrome with stainless steel wall plate

ARTICOLO ARTICLE

EF 019CR/MEST

- to be completed only with art. INC01935CR
- to be completed only with art. INC01935CR

DOCUMENTI TECNICITECHNICAL DOCUMENTS



ESPLOSO
RICAMBI
EF
019CR/MEST

